

SUBMITTAL/TECHNICAL DATA SHEET



STANDARD OPTIONS

- MATERIAL:**
16 gauge cold rolled steel frame &
20 gauge galvalume steel door
- HINGE:**
Continuous piano hinge
- INSULATION:**
Mineral wool
- LOCK / LATCH:**
Self latching tool-key operated slam
latch and/or ring operated slam
latch, both included
- INSIDE PANEL RELEASE:**
Standard on all doors over 12" x 12"
- AUTOMATIC PANEL CLOSER:**
Standard on all doors
- FINISH:**
High quality white powder coat
primer
- PACKAGING:**
Individually wrapped, 1 per box



SKU: **PFI PLY**

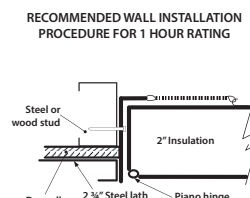
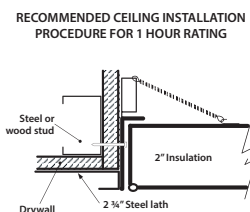
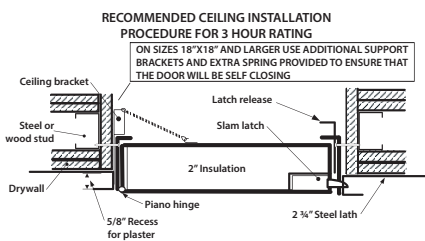
FIRE RATED INSULATED ACCESS DOOR

WITH PLASTER FLANGE



INSTALLATION

>> CLICK TO VIEW ADDITIONAL DETAILS AND PRICING <<



Authorities Having
Jurisdiction (AHJ) should
be consulted in all cases
as to the particular
requirements covering
the installation and use
of fire rated access doors.

OPTIONS AVAILABLE

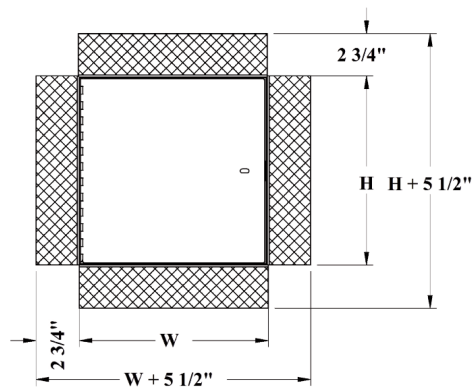
- LOCK / LATCH:**
- Mortise deadbolt lock
 - Hex head slam latch
 - Handle operated slam latch
 - Mortise preparation for cylinder (cylinder optional)

- MATERIAL:**
Stainless steel #4 (brushed finish)
- MASONRY ANCHOR:**
Available on all sizes

DIMENSIONS AND APPEARANCE

STANDARD SIZES:

DOOR SIZE W x H INCHES (MM)	NUMBER OF LOCKS	WEIGHT	
		LBS	KG
8 x 8 (203 x 203)	1	7	3.2
10 x 10 (254 x 254)	1	8	3.6
12 x 12 (304 x 304)	1	10	4.5
14 x 14 (355 x 355)	1	12	5.4
16 x 16 (406 x 406)	1	14	6.4
18 x 18 (457 x 457)	1	17	7.7
22 x 22 (558 x 558)	1	20	9.1
22 x 30 (558 x 762)	1	30	13.6
22 x 36 (558 x 914)	2	34	15.5
24 x 24 (609 x 609)	1	24	10.9
24 x 36 (609 x 914)	2	36	16.4
* 24 x 48 (609 x 1219)	2	68	30.9
* 30 x 30 (762 x 762)	1	41	18.6
* 32 x 32 (812 x 812)	2	43	19.5
* 36 x 36 (914 x 914)	2	50	22.7
* 48 x 48 (1219 x 1219)	2	83	37.7



ROUGH WALL OPENING IS DOOR SIZE + 1/4" OR + 6MM

* Not available for ceiling rating (maximum 24"x36")

Fire Rating information on Page 2

For a complete list of options visit
www.AccessDoorsAndPanels.com

Scan or Click



To view Pricing and
Additional Product Info.

PROJECT DATA

Custom Sizes Available - Fast!

PROJECT NAME :	QTY	W	H	OPTIONS
ARCHITECT :				
DEALER :				
CONTRACTOR :				
LOCATION :	SPECIAL INSTRUCTIONS :			
DATE :				
TAGGING INSTRUCTIONS :	SUBMITTAL APPROVAL : (signature or stamp)			

LEED READY: THIS PRODUCT
CONTRIBUTES TO LEED® CREDITS



TELEPHONE:
1-888-457-1275
FAX:
1-888-626-2907



PO BOX 66738 #76520,
SAINT LOUIS, MO
63166-6738
USA



WEBSITE:
www.AccessDoorsAndPanels.com
E-MAIL:
info@AccessDoorsAndPanels.com

■ FIRE RATING

FOR INSTALLATION IN VERTICAL WALL ASSEMBLIES:
 CERTIFIED TO STANDARDS: UBC 7-2 (1997), UL 10B (1997), UL 10B (2009), NFPA 252 (2003), NFPA 252 (2008), NFPA 252 (2012), CAN/ULC S104 (R1985), CAN/ULC S104 (2010).
 RATING ACHIEVED: 3 hours, neutral/negative pressure.
 MAXIMUM SIZE: 48" wide x 48" high (1219 mm x 1219 mm).
 Maximum area of 2304 in²

Tolerance on height and width limitation is ± 3" (76 mm) as long as the area does not exceed 2304 in²

TEMPERATURE RISE: 250°F (121°C) after 30 min. 450°F (232°C) after 60 min.

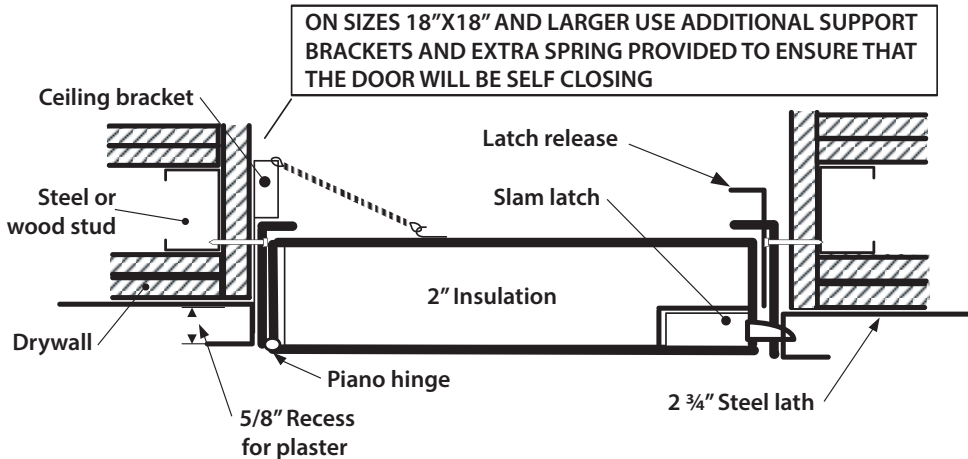
FOR INSTALLATION IN HORIZONTAL CEILING ASSEMBLIES:
 CERTIFIED TO STANDARDS: ASTM E119 (2012), CAN/ULC S101 (2007).
 RATING ACHIEVED: 3 hours in non-combustible construction. 1 hour in combustible construction.
 MAXIMUM SIZE: 24" x 36" (hinges & latch on 36" long sides) (610 mm x 914 mm).

Tolerances on dimension limitations are ± 3" (76 mm) as long as the area does not exceed 864 in²

TEMPERATURE RISE: Not applicable.

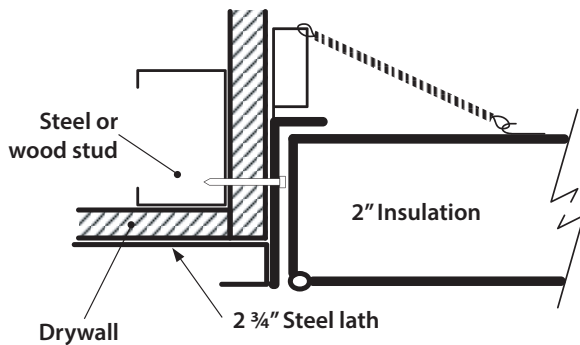
■ INSTALLATION: WALLS AND CEILINGS

RECOMMENDED CEILING INSTALLATION PROCEDURE FOR 3 HOUR RATING



Authorities Having Jurisdiction (AHJ) should be consulted in all cases as to the particular requirements covering the installation and use of fire rated access doors.

RECOMMENDED CEILING INSTALLATION PROCEDURE FOR 1 HOUR RATING



RECOMMENDED WALL INSTALLATION PROCEDURE FOR 1 HOUR RATING

